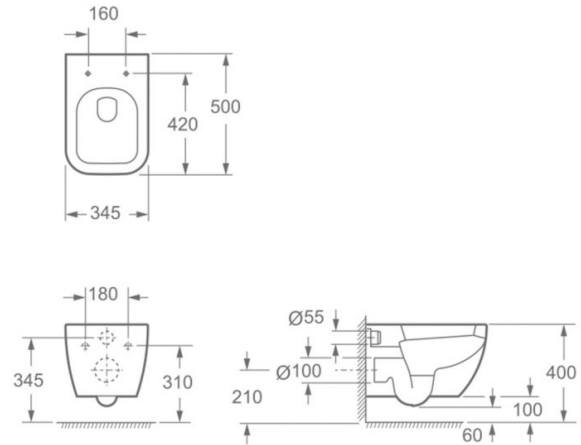


Wall-hung WC New Toledo

Ref. 4516R

500x345x340 mm



Features

- Wall - hung WC
- Removable thermoset cover
- Soft close
- Weight 26kg | Units per palet 15